

THERMOSTATIC CLEAN STEAM TRAPS

An ISO 9001:2008 Certified Company



Steam Distribution | Steam Generation | Customized Package Solution | Steam Accessories | Steam Services

Thermostatic Clean Steam Traps

Applications

VOLFRAM Thermostatic Steam trap best suited for use in Clean steam systems. All wetted parts of this trap are manufactured using materials as per FDA guidelines.



Features:

- Full Stainless steel 316L construction
- Condensate draining close to steam temperature endures minimum condensate back-up
- Compact and light weight

Application:

- Sterilizers
- Air venting of equipments
- CIP/SIP systems
- Autoclaves
- Block and bleed systems

Installation

The trap is designed to be fitted vertically with inlet from the top, facilitating complete drainage. Ensure that the installation is done as per the flow direction marked on the body. Do not expose the trap to superheated conditions. Do not de-ressurize the trap before it cools. This may damage the capsule.

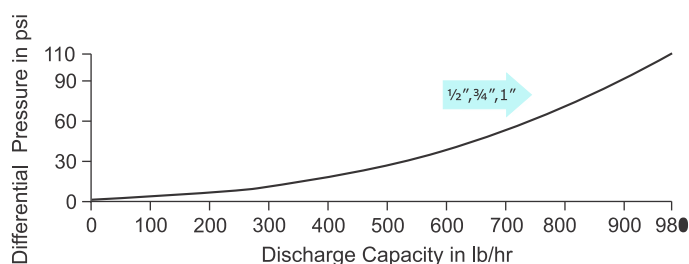
Limiting Conditions:

PMA: Max allowable press. 150 psig

TMA: Max allowable temp. 305°F

PMO: Max. operating press. 100 psig

TMA: Max. Operating temp. Saturation Temperature



- Highly polished for better cleaning and improved corrosion resistance. Surface finish Ra 20~25 micro
- Easy to installation
- Easy to dismantle and clean

Sizes

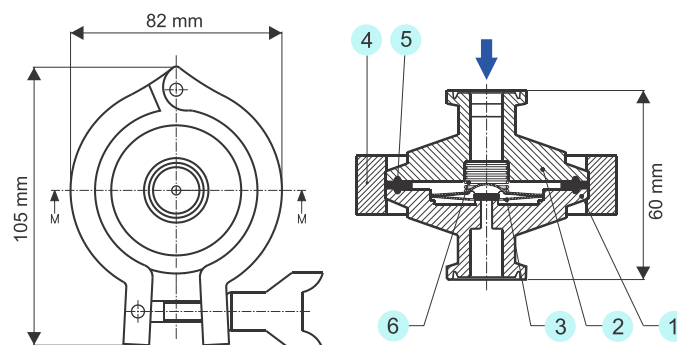
- 15 NB, 20NB, 25NB

Connections:

Triclamp ends

MATERIAL:

NO.	PART	MATERIAL	QTY. (Nos.)
1.	BODY	AISI 316L	1
2.	COVER	AISI 316L	1
3.	CAPSULE	AISI 316L	1
4.	CLAMP	AISI 304	1
5.	GASKET	PTFE	1
6.	SPRING	AISI 316L	1



Volfram Boiler and Steam Accessories



Steam Boilers



Condensate Recovery System



Rotating Plug Float Trap



Control Valve



Pressure Gauge



SS Safety Valve



Non Return Valve



Steam Injector



Pressure Reducing Valve



Volfram Systems India Pvt. Ltd.

Office: Sr. No. 18, Rutuvihar, 402,
Waranasi Soc., Warje, Pune - 411058,
Maharashtra, India
Tel. +91 20 65108181 | GPS: 18°29'9"N,73°47'29"E
www.volfram.in | Email: steam@volfram.in