



# Temperature Gauge

An ISO 9001:2008 Certified Company



Steam Distribution | Steam Generation | Customized Package Solution | Steam Accessories | Steam Services

# Temperature Gauge

## Applications

**Volfram** make stainless steel thermometer. Suitable for corrosive media and environments in chemical process, petroleum and food industry. The instruments meet the highest standards of measurement technique.



## Nominal size

63, 100 and 160 mm

## Temperature element

Coiled bimetal

## Accuracy

- Class 1 per DIN EN 13 190
- Pressure rating of stem
- 25 bar maximum

## Nominal use

DIN EN 13 190

## Ingress protection

IP 56 / IP 65 per EN 60 529 / IEC 529  
IP 65 per EN 60 529 / IEC 529 for gauges with alarm contacts.

## Standard features

### Location of stem

Centre back or radial bottom

### Case material

Stainless steel

### Bezel

Cam ring (bayonet type) bezel, natural finish stainless steel

### Connection

G 1/2 B, stainless steel 1.4571

### Stem

8 mm diameter, stainless steel 1.4571

### Dial

White aluminium with black lettering per DIN EN 13 190

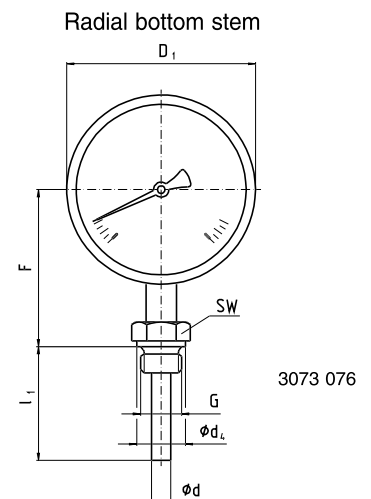
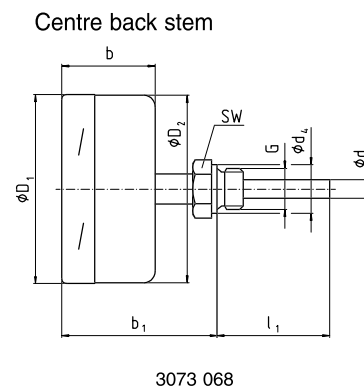
### Pointer

Adjustable black aluminium pointer

### Window

Instrument glass

## Dimensions



# Volfram Boiler and Steam Accessories



**Steam Boilers**



**Condensate Recovery System**



**Rotating Plug Float Trap**



**Flow Meter**



**Pressure Gauge**



**SS Safety Valve**



**Non Return Valve**



**Steam Injector**



**Control Valve**



## Volfram Systems India Pvt. Ltd.

Office: Sr. No. 18, Rutuvihar, 402,  
Waranasi Soc., Warje, Pune - 411058,  
Maharashtra, India  
Tel. +91 20 65108181 | GPS: 18°29'9"N,73°47'29"E  
www.volfram.in | Email: steam@volfram.in