



Moisture Separator

An ISO 9001:2008 Certified Company



Steam Distribution | Steam Generation | Customized Package Solution | Steam Accessories | Steam Services

Moisture Separator

MOISTURE SEPARATOR (MSP-11C)
 CAST CARBON STEEL (ASTM A216 Gr. WCB)
 CLASS / RATING: #150 & #300 | SIZE: 25 NB TO 100 NB

The Volfram Moisture Separator are available in cast steel ASTM A216 WCB. These Moisture Separator are baffle type and used to remove moisture from steam.

FEATURES

- Multi baffle design to remove condensate with high level of efficiency and reliability.
- Typically contoured body design allows large flow areas to ensure low pressure drops.
- Can also be used on compressed air lines for effective removal of moisture contained in the compressed air.
- Available in Cast steel version in flanged connection as per ASME B16.5 # 150 / # 300.

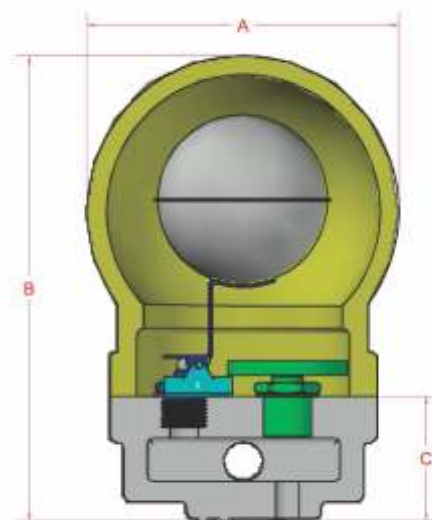


DIMENTIONS

Size	25 NB	40 NB	50 NB	65 NB	80 NB	100 NB
A	300	400	450	450	500	700
B	100	110	150	170	175	240
C	25	40	50	65	80	100
D	15 NB	15 NB	25 NB	25 NB	25 NB	25 B
A	300	400	450	450	500	700
B	100	110	150	170	175	240
C	25	40	50	65	80	100
D	15 NB	15 NB	25 NB	25 NB	25 NB	25 NB

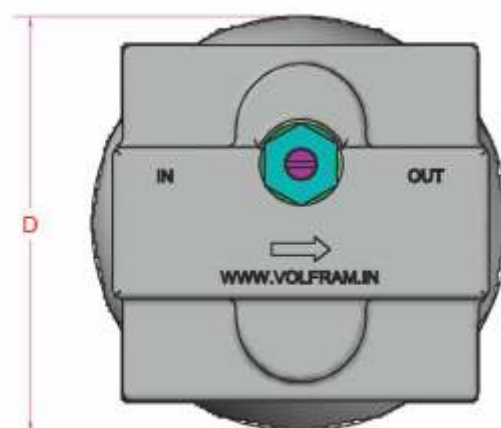
Material:

NO.	PART	MATERIAL
1.	BODY	CAST IRON
2.	COVER	IS : 210 FG200
3.	GASKET (COVER)	NON CAF
4.	VALVE SEAT	AISI 410 / 420
5.	VALVE	
6.	LEVER	AISI 304
7.	FLOAT	AISI 304
8.	AIR VENT ASSLY	AISI 304
9.	BOLT	HIGH TENSILE
10.	DRAIN PLUG	C.S
11.	GASKET DRAIN PLUG	COPPER
12.	GASKET AIR VENT	COPPER
13.	GASKET VALVE SEAT	COPPER
14.	BRACKET ASSLY.	AISI 304



Dimensions: Nominal in mm

SIZE	A	B	C	D	Wt.
DN15,20	110	164.2	44	110	3.3kg
DN25	162	217	55	136	4.3kg



Available Spares:

Valve Seat, Ball Float and Level assembly,
Air vent assembly, Gaskets.

Volfram Boiler and Steam Accessories



Steam Boilers



Condensate Recovery System



Rotating Plug Float Trap



Flow Meter



Pressure Gauge



SS Safety Valve



Non Return Valve



Steam Injector



Control Valve



Volfram Systems India Pvt. Ltd.

Office: Sr. No. 18, Rutuvihar, 402,
Waranasi Soc., Warje, Pune - 411058,
Maharashtra, India
Tel. +91 20 65108181 | GPS: 18°29'9"N,73°47'29"E
www.volfram.in | Email: steam@volfram.in